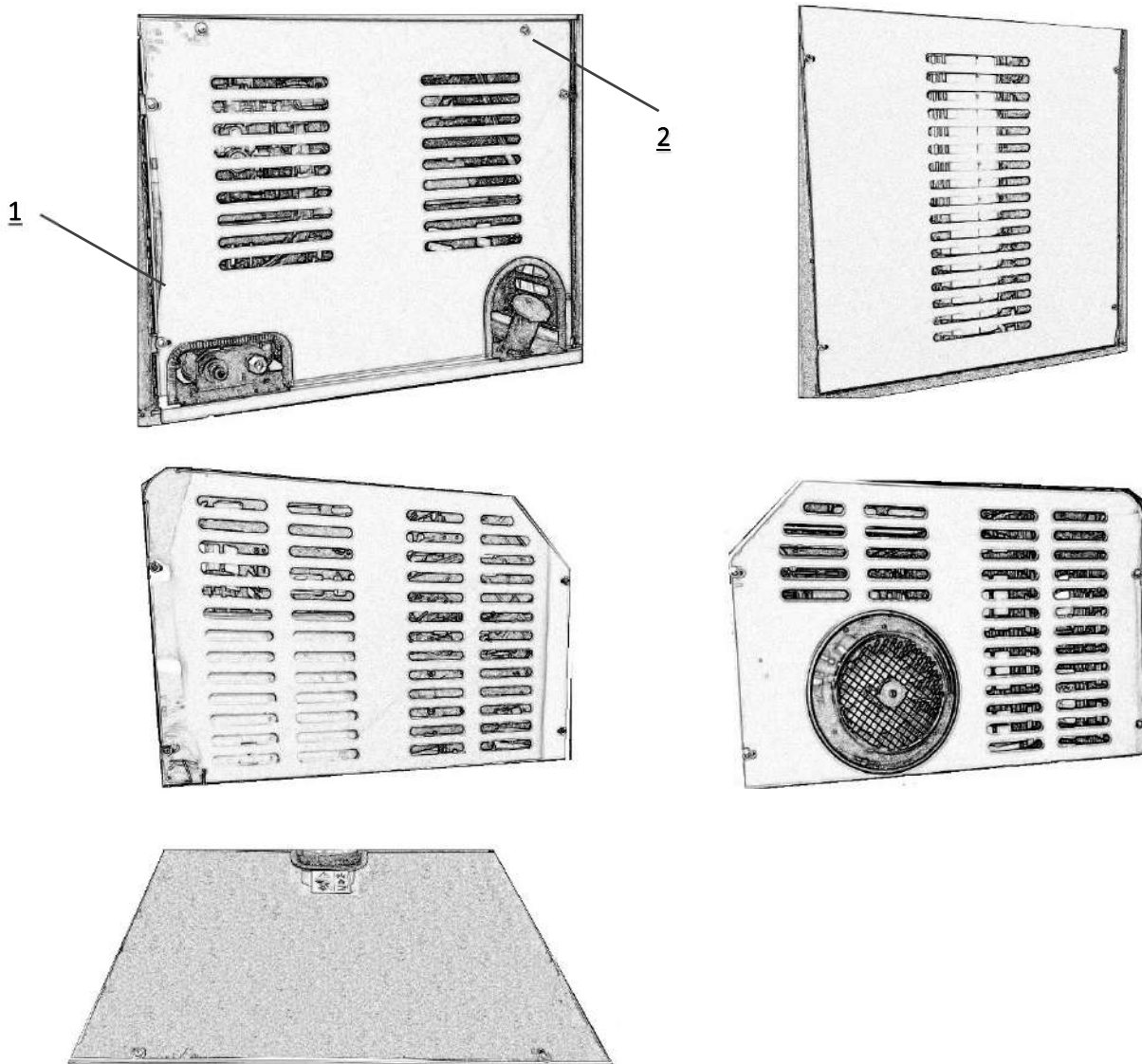


ROBOT 1

150.15 / 150.21 / 200.15 / 200.21 / 300.21 / 350.15 / 500.10

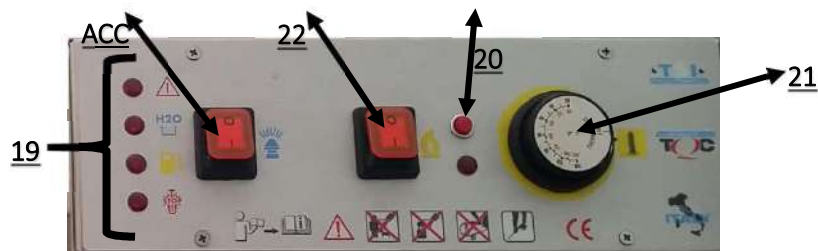
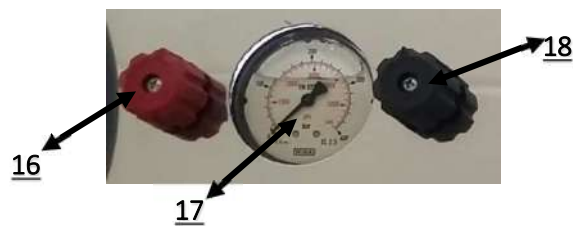


-----ELENCO RICAMBI / SPARE PARTS / PIÈCES DÉTACHÉES -----

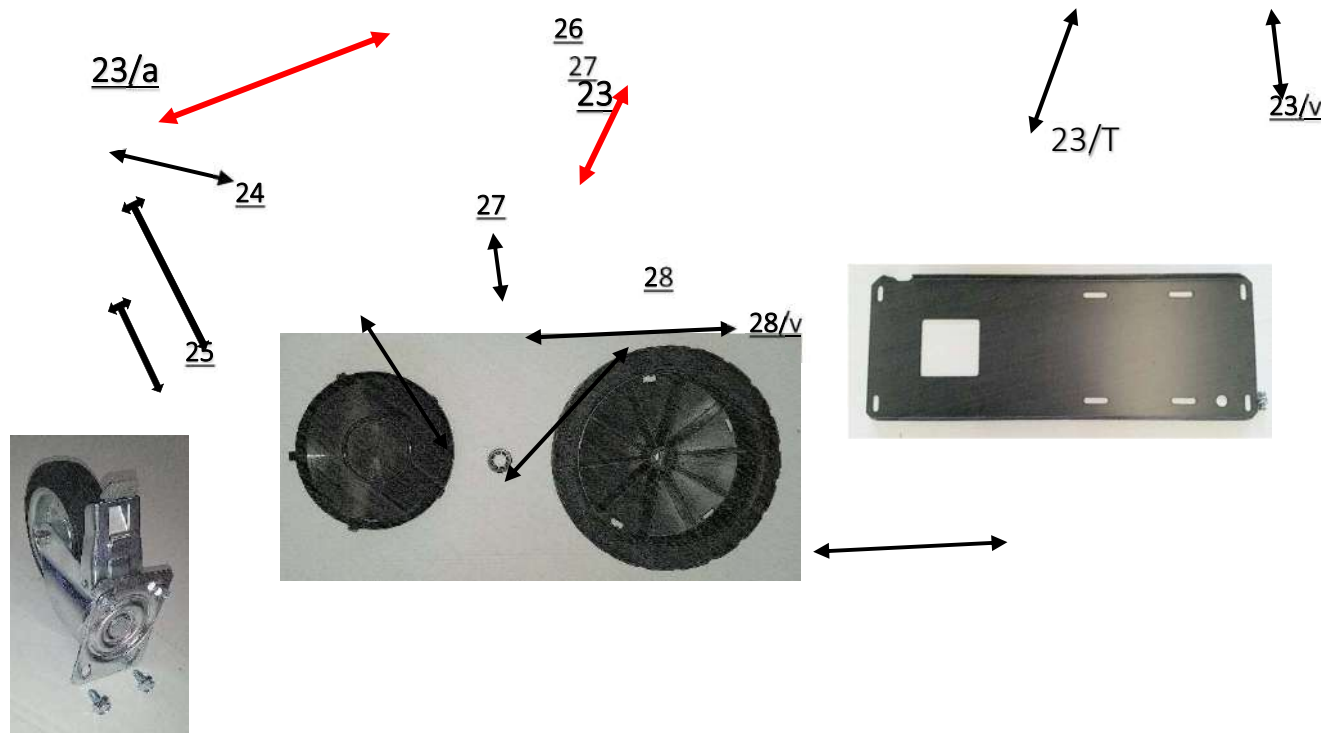


ITEM	CODICE	DESCRIZIONE	DESCRIPTION	DESCRIPTION	Q.TA
1	5170010	Scocca inox frontale	Front cover	Capot avant	1
2	1000528/1 1000606	Vite TCB 5X14 Rondella inox 5x15	Screw Washer	Vis Rondelle	24
3	5170004	Scocca inox posteriore	Rear cover	Capot arrière	1
A	4000175	Adesivo ROBOT	ROBOT adhesive	Adhésive ROBOT	
B	4000174	Adesivo pressione	Pressure adhesive	Adhésif pression	1
C	4100088	Adesivo chem/out/in	Chemical / in / out adhesive	Adhésif detergent in/out/chem	1
D	4110060	Adesivo Diesel	Fuel adhesive	Adhésif carburant	1
4	5170001	Scocca inox comandi	Control cover	Capot de commande	1
5	5170003/DX	Scocca inox laterale dx	Side cover right	Capote lateral droit	1
6	4000085	Supporti Lancia	Lance holders	Porte lance	3
CA	2000347	Cavo neoprene 4x4 H07	Neoprene Cable	câble neoprene 4x4 H07	
PG	2000082	Pressacavo PG21 con dado			
E	4280013	Adesivo DeT/Man/Vap	Detergent/pressure gauge/steam adhesive	Adhésif detergent/manomètre/vapeur	1
F	4280030	Adesivo Hynox CL100	Hynox CL. 100 adhesive	Adhésif Hynox CL.100	1
G	4280033	Adesivo Hynox CL112	Hynox CL.112 adhesive	Adhésif Hynox CL.112	1

7	5170003	Scocca inox laterale sx	Side cover left	Capote lateral gauche	1
8	1000090	Pinze porta - astina	Head-carrying grippers	Pince porte-tete	2
9	1000085 cm 40	Tube inox AISI 304 ø8x1	ø 8x1 stainless steel pipe AISI 304.	Tuyau en acier inoxydable AISI 304 ø 8x1	1
10	1000055	Fascetta stringitubo	Hose clamp	Collier de serrage	1
11	6000521+ OT502033	Dado ¼ G Fx Bicono+ Bicono ø 8	¼ bicone nut + ø 8 bicone	Écrou 1/4G FX bicone+ ø 8 bicone	1
12	1000002	Filtro detergente ottone	Brass detergent filtre	Filtre detergent à laiton	1
14	5170005	Scocca superiore	Top cover	Capote supérieur	1
H	A2154290	Adesivo avvertenze	Adhesives	Adhésif	2



ITEM	COD	DESCRIZIONE	DESCRIPTION	DESCRIPTION	q.ta
16	P29092020	Valvola vapore	Steam valve	Vanne vapeur	1
17	1000342	Manometro ø 63	Pressure Gauge	Manomètre	1
18	P29095400	Valvola detergente	Detergent valve	Vanne détergent	1
19	2500240 2500241	Spie varie Gemma rossa copri Led	Warning lights	Lumières	10
20	2171011	Pulsante riarmo caldaia	Boiler reset button	bouton de réinitialisation de la chaudière	1
21	6000002	Termostato C1500	Thermostat	Thermostat	1
ACC	2000070/24	Interruttore accensione	Hydro swiych	Bouton pour allumer la Hydro	
22	2000070/24	Interruttore accensione caldaia	Boiler switch	Bouton pour allumer la chaudière	3



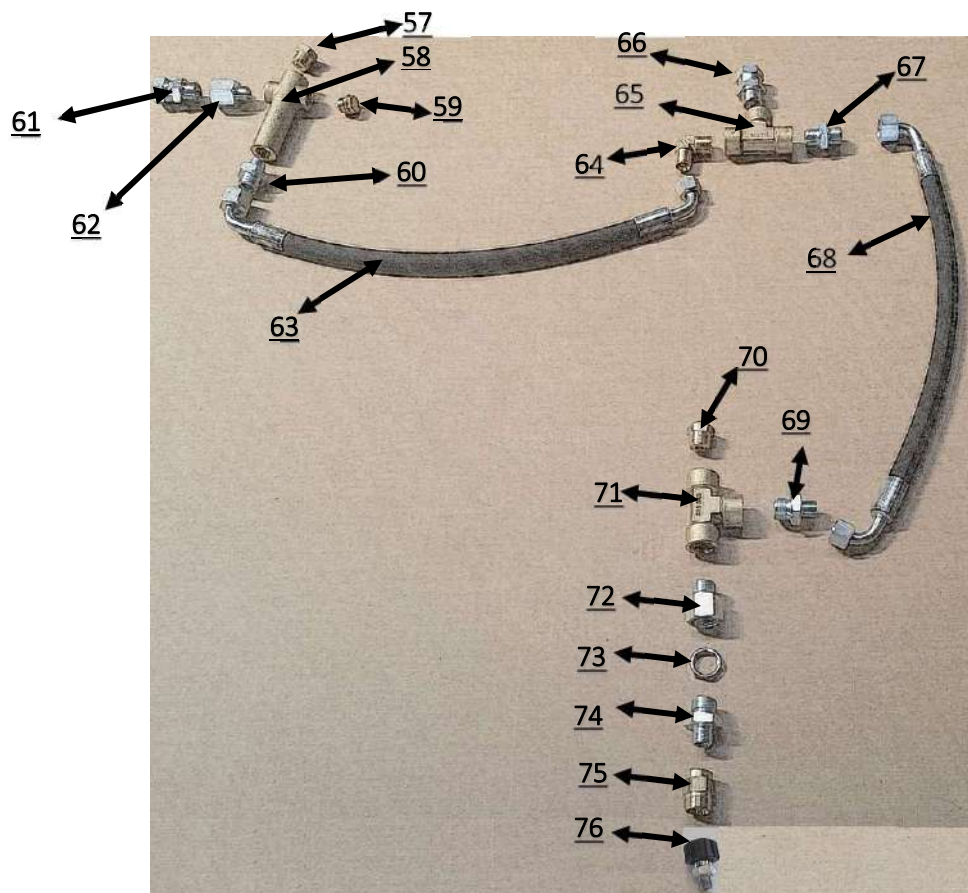
ITEM	COD	DESCRIZIONE	DESCRIPTION	DESCRIPTION	q.ta
23	5170000	Telaio macchina	Chassis	Chassis	1
23/a	4000002	Tappo Bocchettone gasolio	Fuel cap	Bouchon carburant	1
23/T	5172002	Supporto motore Robot 2	Motor support plate	Plaque de support moteur	1
23/v	1000550	Vite TE 10x30 zinc	Screws TE 10x30 zinc	Vis TE 10x30 zinc	4
24	1000028	Ruota ø 140 girevole con freno	Castor wheel	Roue tournante	2
25	1200568	Vite TE 8X16 FLAN. ZIGR.	Screws	Vis	8
26	4300115	Ruota ø 305x80 ø20	Wheel	Roue	2
27	1000008	Molla ferma ruota ø 20	Spring wheel lock	Roue printemps	2
28	5172003	Supporto avvolgitubo (OPTIONAL)	Hose reel plate (optional feature)	Plaque enrouleur (optionnel)	1
28/v	1200568	Vite TE 8X16 FLAN. ZIGR.	Screws	Vis	6

IMPIANTO
Collegamento
destra



DELLA POMPA
pompa in basso a

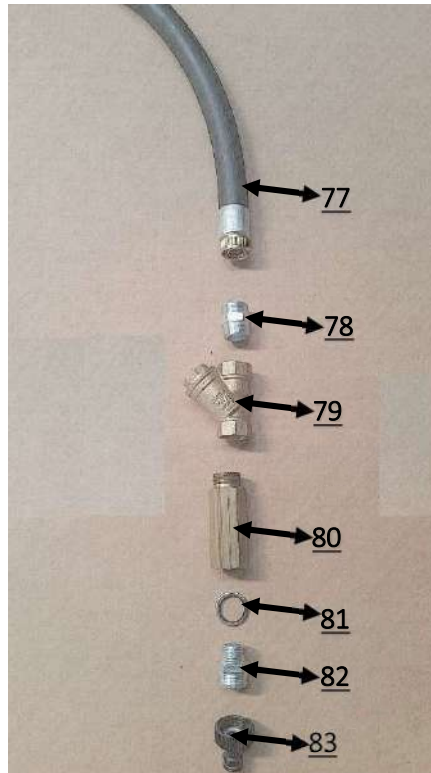
ITEM	COD	DESCRIZIONE	DESCRIPTION	DESCRIPTION	Q.tà
29	Pag. 15-22	POMPA	Pump	Pompe	1
30	1000461	Prolunga M3/8 F 1/4 L. esag. mm 20	M3/8 F 1/4 Hexag.20 mm extension	Extension M 3/8F ¼ L hex mm 20	1
31	6100140	Pressostato M ¼ PR5 Rosso 25 bar	Red pressure switch M ¼ PR5 25 bar	Interruteur de pression M ¼ PR5 rouge 25 bar	1
32	6172030	Tubo By-pass	By pass pipe	Tuyau by-pass	1
33	A1980740	Tappo ottone 3/8	3/8 Brass plug	Bouchon en laiton	1
34	P6005800	Valvola Sicurezza VS350	Safety valve VS350	Soupape de sécurité	1
35	1000223	Nipplo Girello MF 3/8	Swivel nipple MF3/8	Nipple walker MF 3/8	1
36	6400408	Tubo scarico valvola sicurezza	Safety valve drainpipe	Tuyau d'écoulement de la soupape de sécurité	1
37	1000224	Nipplo 3/8	3/8 nipple	Nipple 3/8	3
38	6500010	Tubo A.P. 139/1	H.P. Hose 139/1	Tuyau H.P. 139/1	2
39	1000224	Nipplo 3/8	3/8 nipple	Nipple 3/8	1
40	1000223	Nipplo girello MF 3/8	Swivel nipple MF 3/8	Nipple walker 3/8	1
41	1000224	Nipplo 3/8 cilindrico	Cylindrical 3/8 nipple	Nipple cylindrique 3/8	1
42	3280023	Blocchetto ottone	Brass block	Bloc en laiton	1
43	P29008050	Pressostato Nero PR5 40 bar	Black pressure switch PR5 40 bar	Interruteur de pression noir PR5 40 bar	1
44	1000244	Curva M/F ¼	1/4 curve M/F	Curve M/F ¼	1
45	1000227	Nipplo ¼ cilindrico	¼ cylindrical nipple	Nipple cylindrique ¼	1
46	P60170000	Valvola VB350	Pressure regulating valve VB350	Vanne de regulation de pression	1
47	1000827	Nipplo ridotto ¼ M / ¼ F ottone	Brass short nipple ¼ M/1/2 F	Nipple réduite en laiton 1/2	1
48	1000261	Curva ott ¼ MM piccolo ø 24	Small brass curve 1/2 MM diam.24	Petite courbe en laiton 1/2MM diam 24	1
49	1000202	Curva ottone MF 3/8	Brass curve M/F 3/8	Courbe en laiton M/F 3/8	1
50	1000223	Nipplo M 3/8+F.Gir 3/8	3/8 nipple M+3/8 swivel	Nipple M 3/8 + walker F 3/8	1
51	1000256	Curva ottone ¼ M 3/8 M	Brass curve ¼ M 3/8 M	Courbe en laiton ¼ 3/8	1
51/A	1000791	Controdado nichelato ¼	¼ Nickel plated locknut	Écrou nickel 1/2	1
52	3400029	Blocchetto aspirazione alluminio	Aluminum intake block	Bloc d'admission en aluminium	1
53	1000432	Nipplo ¼ zincato	¼ zinc plated nipple	Nipple ¼ zinc	1
55	1000210	Nipplo ridotto 3/8 x ¼ A.P.	3/8 x ¼ H.P. short nipple	Nipple réduite 3/8 x ¼ H.P.	1
56	1001259	Inserto 90° F3/8 TUBO 3/8	90° F 3/8 hose insert (3/8)	Insérer 90° F3/8 tuyau 3/8	1
C1	1000827	Curva ott ¼ MM piccolo ø 24	¼ small brass curve diam. 24	Petite courbe en laiton MM ¼ diam 24	1
C2	1000261	Nipplo ridotto 3/4M 1/2F	3/4M-1/2F short nipple	Nipple réduite ¼ M ½ F	2

CIRCUITO USCITA ACQUA


ITEM	COD	DESCRIZIONE	DESCRIPTION	DESCRIPTION	Q.tà
57	1000264	Bulbo termostato	Thermostat bulb	Bulbe thermostat	1
58	1000197	Pozzetto porta sonda	Sensor holder	Porte sonde	1
59	A1980740	Tappo 3/8 ottone	3/8 brass plug	Bouchon en laiton 3/8	1
60	1000211	Nipplo 1/2 x 3/8	1/2 x 3/8 nipple	Nipple 1/2 x 3/8	1
61	1000298	Nipplo girello MF 1/2	1/2 MF swivel nipple	Nipple walker MF 1/2	1
62	1000483	Colonna 3/8M x 1/2 F	3/8M x 1/2 F standoff	Bras de fer 3/8M x 1/2 F	1
63	6100190	Tubo A.P. 089/2	089/2 H.P. hose	Tuyau H.P. 089/2	1
64	1000256	Curva ottone 1/2M 3/8M	1/2M-3/8M brass curve	Courbe en laiton 1/2M 3/8 M	1
65	1000200	Raccordo T ottone FFF 1/2	FFF 1/2 brass T-fitting	Raccord T en laiton FFF 1/2	1
66	1000298	Nipplo girello MF 1/2	MF 1/2 swivel nipple	Nipple walker MF 1/2	1
67	1000203	Nipplo 1/2 cilindrico	1/2 cylindrical nipple	Nipple cylindrique 1/2	1
68	6100190	Tubo A.P. 089	089 H.P. hose	Tuyau H.P. 089	1
69	1000211	Nipplo 1/2 x 3/8	1/2 x 3/8 nipple	Nipple 1/2 x 3/8	1
70	1000264	Bulbo termostato	Thermostat bulb	Bulbe thermostat	1
71	1000200	Raccordo T ottone FFF 1/2	FFF 1/2 brass T-fitting	Raccord T en laiton FFF 1/2	1
72	1000465	Prolunga 1/2 MF	1/2 MF extension	Extension 1/2 MF	1
73	1000791	Controdado 1/2	1/2 locknut	Ecrou 1/2	1
74	1000211	Nipplo 1/2 x 3/8	1/2 x 3/8 nipple	Nipple 1/2 x 3/8	1
75	1000253	Nipplo 3/8 x M22	3/8 x M22 nipple	Nipple 3/8 x M22	1

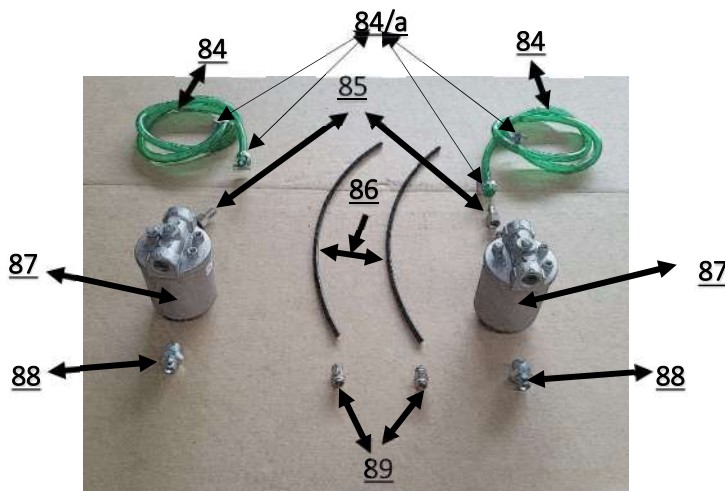
76	1000810	Attacco rapido M22X1,5 3/8M MV8	M22 x 1,5 x 3/8M MV8 quick coupling	Attache rapide M22x1,5x3/8 MV8	1
----	---------	---------------------------------	-------------------------------------	--------------------------------	---

INGRESSO ACQUA



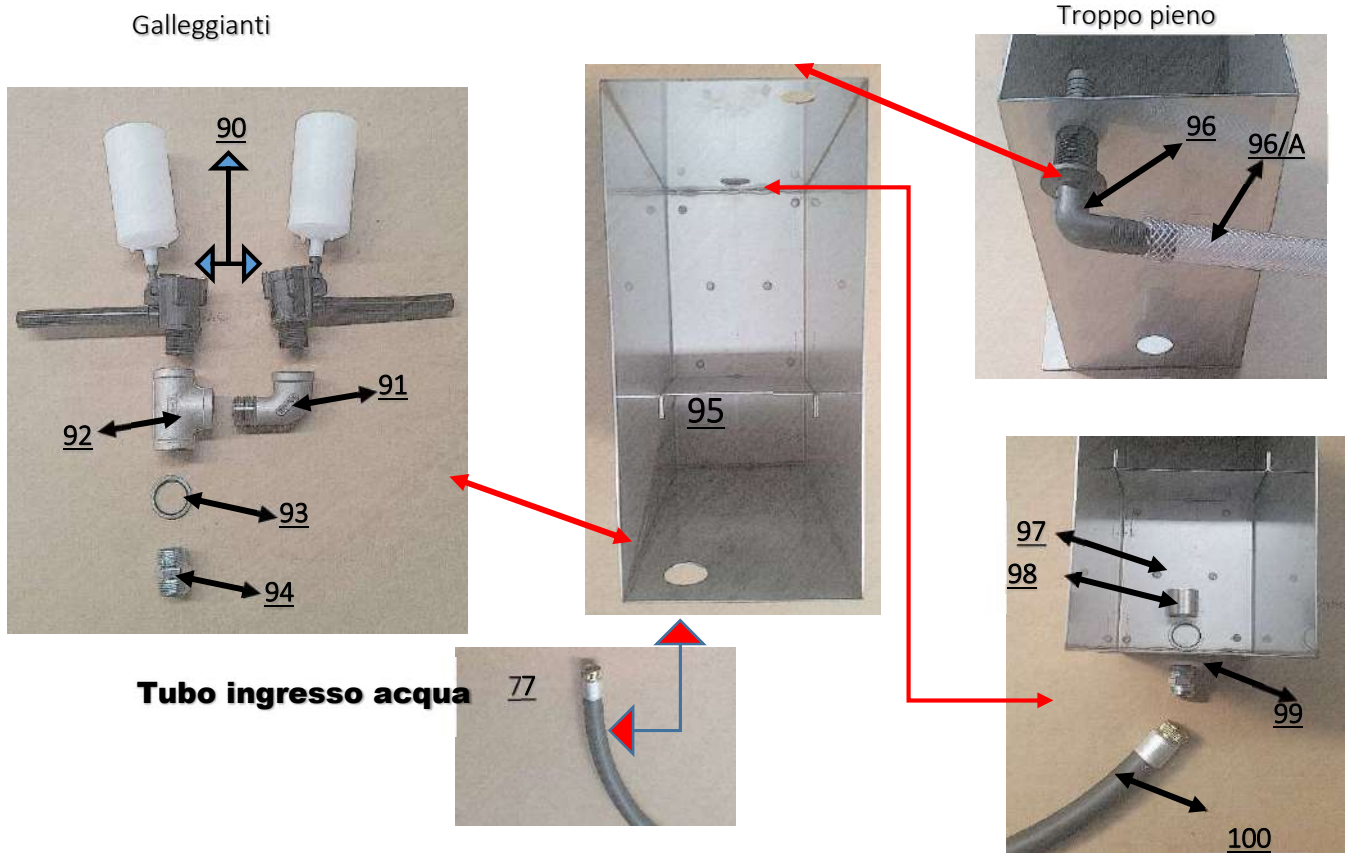
ITEM	COD	DESCRIZIONE	DESCRIPTION	DESCRIPTION	Q.ta
77	6172031	Tubo ingresso H ₂ O Robot2	Robot 2 inlet water hose	Tuyau entrée d'eau Robot 2	1
78	1000432	Nipplo ¼ zincato	¼ zinc plated nipple	Nipple ¼ galvanisé	1
79	1000249	Filtro Y ¼ zin	¼ Y shape filter	Filtre Y 3/4	1
80	1400023	Colonna ¼ M x ½ F zin	¼ M x ½ F zinc plated standoff	Bras de fer galvanisé ¼ Mx1/2 F	1
81	1000613	Rondella Dowty ½ zin	½ Dowty washer	Rondelle Dowty galvanisée	1
82	1000427	Nipplo zinc ½x¾ MM	½ x ¾ MM nipple zinc	Nipple galvanisée 1/2x3/4 MM	1
83	0620210	Presca rubinetto GF ¼ con PGT	GF ¼ tap connector with PGT	Soupape de sortie GF avec PGT	1

CIRCUITO GASOLIO



ITEM	COD	Descrizione	DESCRIPTION	DESCRIPTION	q.ta
84	4000129	Tubo gasolio cm50	50 Cm fuel hose	Tuyau de carburant 50 cm	2
84/a	1000055	Fascetta stringitubo	Hose clamp	Collier de serrage	4
85	6000437	Porta gomma ¼ ø 8	¼ diam. 8 hose holder	Porte-tuyau ¼ diam.8	2
86	4000120	Tubo rilsan cm50	50 cm Rilsan hose	Tuyau Rilsan cm 50	2
87	6000437	Filtro gasolio a bicchiere	Cup shape fuel filter	Filtre diesel	2
88	1000210	Nipplo ¼ x 3/8	¼ x 3/8 nipple	Nipple ¼ x 3/8	2
89	1000216	Raccordo 1/4M 6/4 ART.1511	1/4M 6/4 fitting (1511)	Raccord ¼ M 6/4 (1511)	2

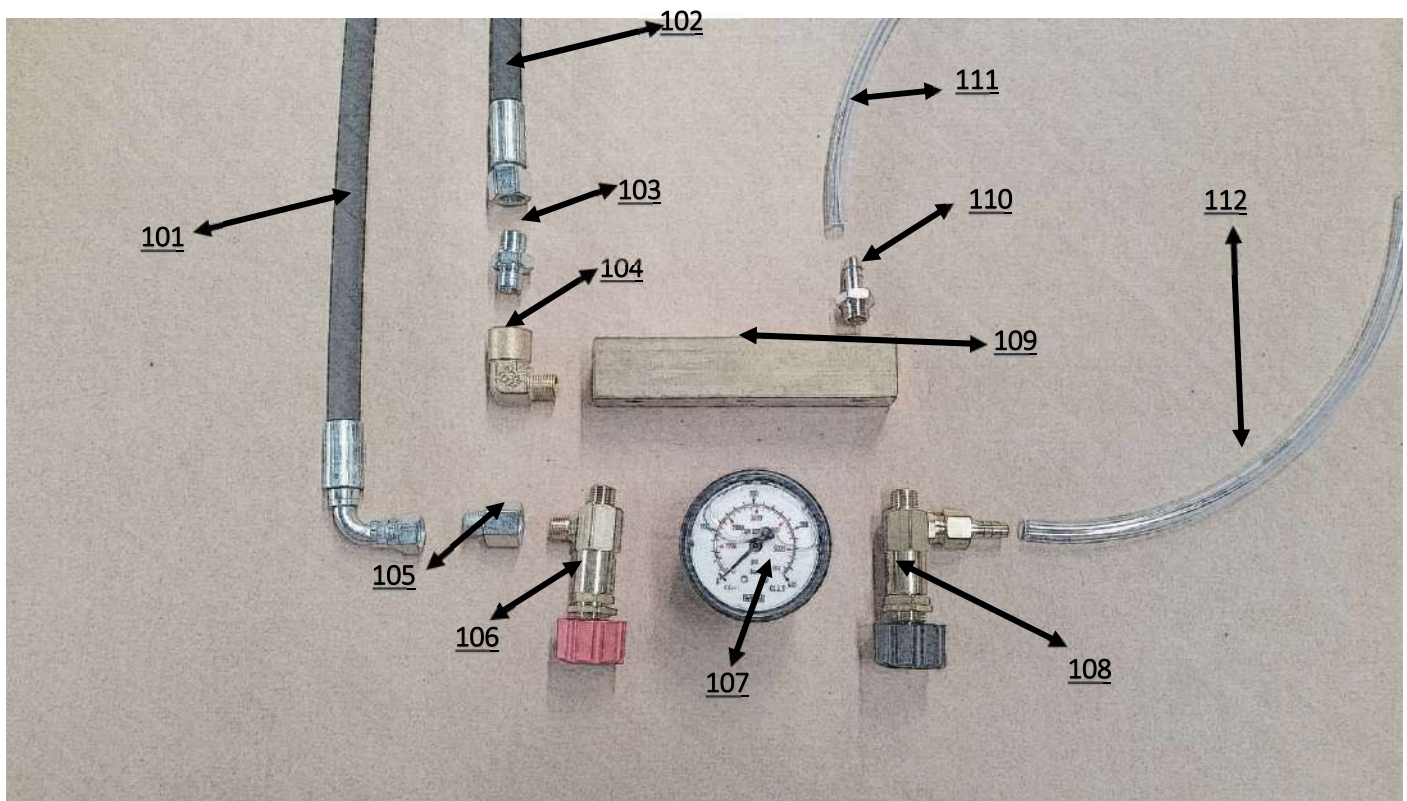
IMPIANTO VASCHETTA H2O



ITEM	COD.	DESCRIZIONE	DESCRIPTION	DESCRIPTION	Q.t à
90	6000410	Galleggiante *	Floater *	Flotteur *	2
91	1171010	Curva ¾ MF inox	¾ MF stainless steel curve	Courbe en acier inoxydable ¾ MF	1
92	1171005	Raccordo T inox ¾ FFF	¾ FFF stainless steel T-fitting	Raccord T en acier inoxydable ¾ FFF	1
93	1000617	Rondella Dowty ¾	¾ Dowty washer	Rondelle Dowty 3/4	1
94	1000432	Nipplo Zinc ¾ MM	¾ MM zinc plated nipple	Nipple galvanisé ¾ MM	1
95	5171021	Vaschetta H ₂ O Inox	Water tank with lid	Réservoir d'eau avec couvercle	1
96	4400035	Portagomma passa-parete ½ X 15 90°	½ x 15 90° hose holder bulhead	Porte-tuyau paroi passant ½ x 15 90°	1
96/A	4000139	Tubo Sabbia ARIANNA ø14	"Arianna" sand pipe diam.14	Tube pour la sable "Arianna" diam 14	1
97	1000456/X	Manicotto inox ¾	¾ stainless steel sleeve	Manchon en acier inoxydable	1
98	1000617	Rondella Dowty ¾	¾ Dwtly washer	Rondelle Dowty 3/4	1
99	1000432	Nipplo ¾ MM zinc	¾ MM zinc plated nipple	Nipple galvanisé ¾ MM	1
100	6172032	Tubo aspirazione H ₂ O	Water suction hose	Tuyau d'aspiration de l'eau	1

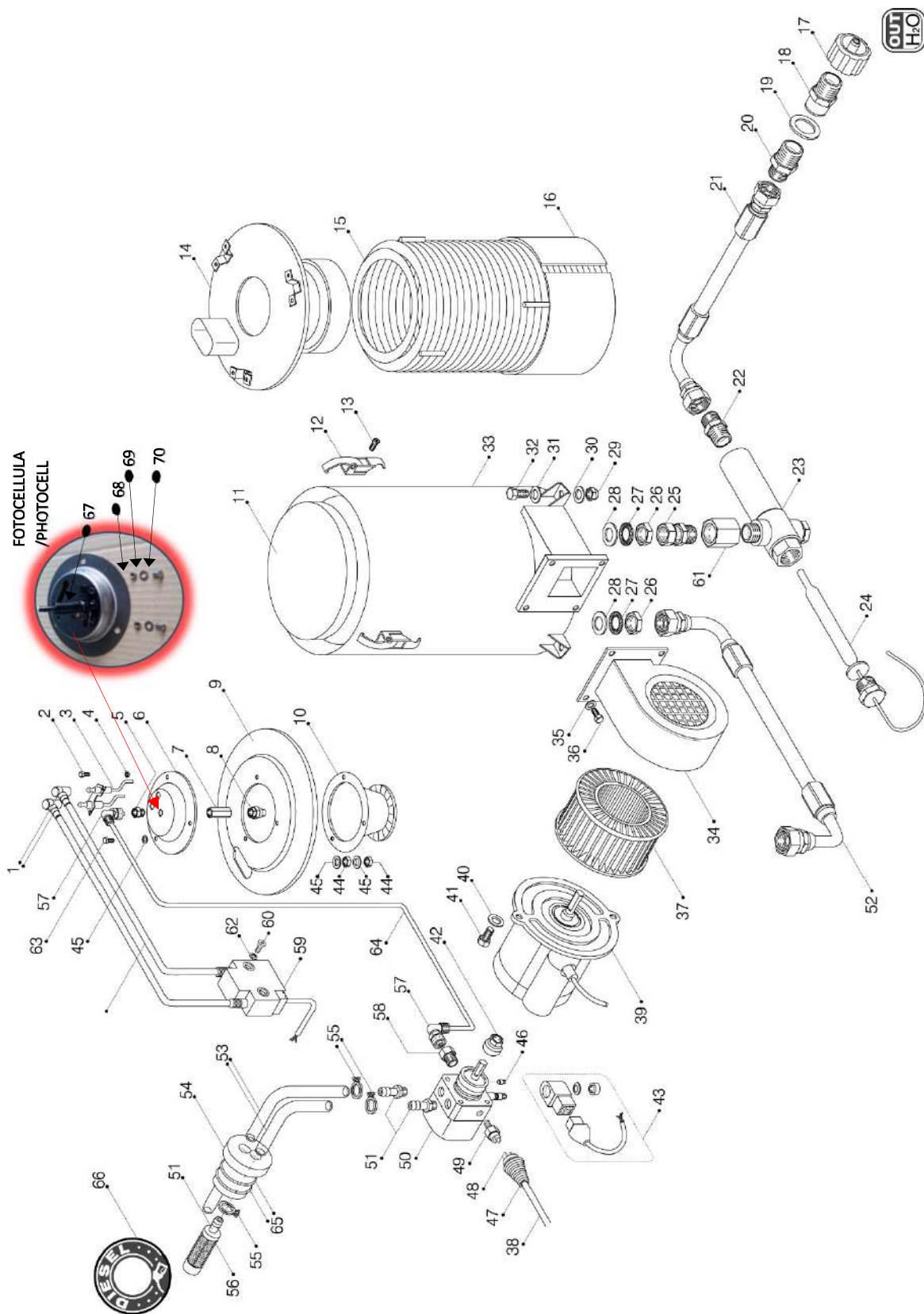
***Note**

Modello 300.21 litri 1 galleggiante / 1 floater in 300.21 model / Modèle 300.21 avec un flotteur

CIRCUITO VALVOLE VAPORE E DETERGENTE


ITEM	COD	DESCRIZIONE	DESCRIPTION	DESCRIPTION	q.ta
101	6100160	Tubo A.P. 084	H.P. hose (084)	Tuyau HP (084)	1
102	6200025	Tubo manometro L.340 F90 1/4+FD 1/4 (042)	¼+FD ¼ (042) l. 340 F90 pressure gauge hose	Tube du manomètre L. 340 F90 ¼ + FD ¼ (042)	1
103	1000227	Nipplo ¼	¼ nipple	Nipple 1/4	1
104	1000244	Curva ottone M/F ¼	¼ M/F brass curve	Courbe en laiton MF 1/4	1
105	1000468	Prolunga ¼ MF	¼ MF extension	Extension ¼ MF	1
106	P29092020	Valvola Vapore manopola rossa	Red knob steam valve	Vanne vapeur de bouton rouge	1
107	1000342	Manometro ø 63 1/4 POST FL. 0/400	Diam. 63 ¼ POST FL. 0400 pressure gauge	Manomètre diam. 63 ¼ POST FL.0/400	1
108	P29095400	Rubinetto deterg. 90° PTG 8 MM	90° PTG 8 MM detergent valve	Vanne détergent 90° PTG 8 MM	1
109	3500029	Blocchetto ottone (Det+Man+Vap)	Blocchetto ottone (Det+Man+Vap)	Brass block (detergent+pressure gauge+ steam)	1
110	1000479	Portagomma 2601 1/4x9	2601 ¼ x 9 hose holder	2601 ¼ x 9 hose holder	1
111	4000134	Tubo Cristal 7x10 2mt – ingresso detergente	7x10, 2MT detergent intake cristal tube	Tube "Cristal" 7x10, 2 Mt entrée de détergent	1
112	4000134	Tubo Cristal 7x10, 50cm	7x10, 50 cm "Cristal" tube	Tube "Cristal " 7x10, 50 cm	1

CALDAIA V2 220



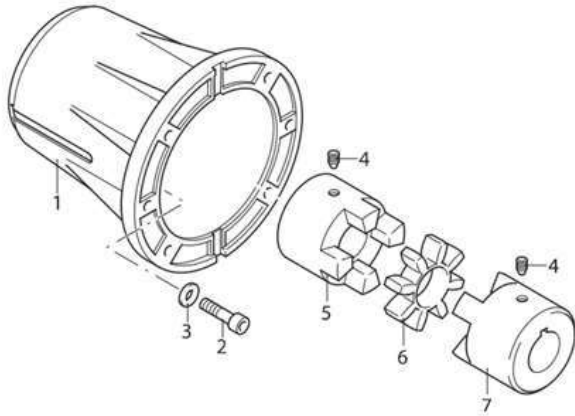
ITEM	Codice	Descrizione	DESCRIPTION	Description	Q.tà
------	--------	-------------	-------------	-------------	------

1	2600395	<i>Cavetto completo</i>	<i>Complete cable</i>	<i>Cable complète</i>	2
2	1000521	<i>Vite TE M4x8</i>	<i>Screw (TE M4 x 8)</i>	<i>Vis (TE M 4 x 8)</i>	2
3	2000007	<i>Elettrodo doppio</i>	<i>Double electrode</i>	<i>Double électrode</i>	1
4	1000740	<i>Dado M4</i>	<i>Nut M4</i>	<i>Ecrou M4</i>	2
5	1000230	<i>Prolunga 1/8 MF</i>	<i>Extension 1/8F</i>	<i>Extension 1/8MF</i>	1
6	3000040	<i>Portaelettrodo</i>	<i>Electrode support</i>	<i>Porte-électrode</i>	1
7	1000220	<i>Portaugello</i>	<i>Nozzle support</i>	<i>Porte-buse</i>	1
8	1000100	<i>Ugello</i>	<i>Nozzle</i>	<i>Buse</i>	1
9	3000030	<i>Testata superiore</i>	<i>Main boiler head</i>	<i>Tete superieure</i>	1
10	3000050	<i>Deflettore</i>	<i>Deflector</i>	<i>Défecteur</i>	1
11	4000280	<i>Cemento Refrattario FL205</i>	<i>Cement</i>	<i>Ciment</i>	1
12	1000050	<i>Chiusura a leva</i>	<i>Locking lever</i>	<i>Levier de fermeture</i>	4
13	1000080	<i>Rivetti</i>	<i>Rivets</i>	<i>Rivets</i>	8
14	3000020	<i>Testata</i>	<i>Boiler head</i>	<i>Tete</i>	1
15	3000065	<i>Serpentina</i>	<i>Coil</i>	<i>Serpentine</i>	1
16	3100060	<i>Anello inox</i>	<i>Stainless steel ring</i>	<i>Bague inox</i>	1
17	1000285	<i>Attacco rapido MVG8</i>	<i>Quick coupling MVG8</i>	<i>Attache rapide MVG8</i>	1
18	1000281	<i>Innesto rapido MVG06</i>	<i>quick coupling MVG06</i>	<i>Attache rapide MVG 06</i>	1
19	1180050	<i>Rondella 18x36</i>	<i>Washer 18 x 36</i>	<i>Rondelle 18 x 36</i>	1
20	1000211	<i>Nipplo 3/8 1/2</i>	<i>Nipple 3/8 ½</i>	<i>Nipple 3/8 ½</i>	1
21	6600620	<i>Tubo uscita</i>	<i>Outlet tube</i>	<i>Tube sortie</i>	1
22	1000224	<i>Nipplo 3/8 MM</i>	<i>Nipple 3/8MM</i>	<i>Nipple 3/8 MM</i>	1
23	1000197	<i>Pozzetto portasonda</i>	<i>Cockpit probe holder</i>	<i>Porte-sonde de cockpit</i>	1
24	6000002	<i>Termostato</i>	<i>Thermostat</i>	<i>Thermostat</i>	1
25	1000298	<i>Nipplo girevole 1/2 MF</i>	<i>½ MF swivelling nipple</i>	<i>Nipple walker 1/2MF</i>	1
26	1000790	<i>Dado 1/2</i>	<i>Nut ½</i>	<i>Ecrou ½</i>	2
27	1200600	<i>Rondella E20</i>	<i>Washer E20</i>	<i>Rondelle E20</i>	2
28	1000610	<i>Rondella M22</i>	<i>Washer M22</i>	<i>Rondelle M22</i>	2
29	1000700	<i>Dado M8</i>	<i>Nut M8</i>	<i>Ecrou M8</i>	3
30	1000601	<i>Rondella</i>	<i>Washer</i>	<i>Rondelle</i>	3
31	1000600	<i>Rondella</i>	<i>Washer</i>	<i>Rondelle</i>	3
32	1000500	<i>Vite</i>	<i>Screw</i>	<i>Vis</i>	3
33	5000063	<i>Camera + cemento</i>	<i>Chamber + cement</i>	<i>Chambre + ciment</i>	1
34	3100020	<i>Coclea</i>	<i>Fan housing</i>	<i>Coque</i>	1
35	1000645	<i>Rondella</i>	<i>Washer</i>	<i>Rondelle</i>	4
36	1000511	<i>Vite</i>	<i>Screw</i>	<i>Vis</i>	4
37	3000010	<i>Ventola</i>	<i>Fan</i>	<i>Ventilateur</i>	1
38	2000384	<i>Cavo 2x1</i>	<i>Cable 2x1</i>	<i>Cable 2x1</i>	1
39	6000015	<i>Motorino bruciatore 220/50HZ 150W</i>	<i>Burner motor</i>	<i>Moteur du bruleur</i>	1
40	1000601	<i>Rondella</i>	<i>Washer</i>	<i>Rondelle</i>	2
41	1000560	<i>Vite</i>	<i>Screw</i>	<i>Vis</i>	2
42	4000070	<i>Giunto</i>	<i>Joint</i>	<i>Accouplement</i>	1
43	2000100/D	<i>Bobina elettrovalvola</i>	<i>Solenoid coil</i>	<i>Bobine solénoide</i>	1

44	1000750	Dado M6	Nut M6	Ecrou M6	6
45	1000645	Rondella	Washer	Rondelle	9
46	1005927	Grano	Locking pin	Broche de verrouillage	3
47	4000045	Manicotto a soffiETTO	Bellows sleeve	Manchon à soufflet	1
48	2000445	Faston rosso	Red fastons	Faston rouge	2
49	6000001	Pressostato 1/8	Pressure switch (1/8)	Pressostat 1/8	1
50	6350011/D	Pompetta + elettrovalvola	Fuel pump + solenoid valve	Pompe gasoil + vanne solénoide	1
51	1000479	Portagomma	Hose holder	Porte-tuyau	3
52	6200105	Tubo A.P. 138	H.P. hose 138	Tuyau HP 138	1
53	4000129	Tubo cristallo 7x12 azzurro	Blue transparent tube 7x12	Tube bleu transparent 7x12	2,50mt
54	4600017gas	Tappo 2 fori	Cap with 2 holes	Bouchon avec 2 trous	1
55	1000055	Fascetta stringitubo	Pipe clamp	Collier de serrage tube	3
56	4000057	Filtro rosso	Red filter	Filtre rouge	1
57	1000218	Raccordo curvo 1/8M 6/4	Curved pipe joint 1/8M 6/4	Raccord courbé 1/8M 6/4	2
58	1000230	Prolunga 1/8 MF	Extension 1/8 MF	Extension 1/8 MF	1
59	2000090/E	Trasformatore d'accensione	Ignition transformer	Trasformatoreur d'allumage	1
60	1000546	Vite 5x45 TC	Screw 5x45 TC	Vis 5x45 TC	2
61	1000212	Prolunga 3/8M 1/2F	Extension 3/8M 1/2F	Extension 3/8M 1/2F	1
62	1000655	Rondella M5 fascia larga	Washer MS F.L.	Rondelle MS F-L	2
63	1000513	Vite TE 6x20	Screw TE6x20	Vis TE 6x20	3
64	4000120	Tubo gasolio rilsan	Rilsan fuel tube	Tube diesel Rilsan	0,70mt
65	4600023	Anello o-ring	O-Ring	O-ring	2
66	4110060	Adesivo "DIESEL"	"DIESEL" Sticker	Adhésif « DIESEL »	1
67	BR18210053	Fotocellula	Photo cell	Photocel	1
68	1000706	Dado	Nut	Ecrou	2
69	1000607	Rondella	Washer	Rondelle	2
70	1000521/I	Vite	Screw	Vis	2

F30

Cod. 1545

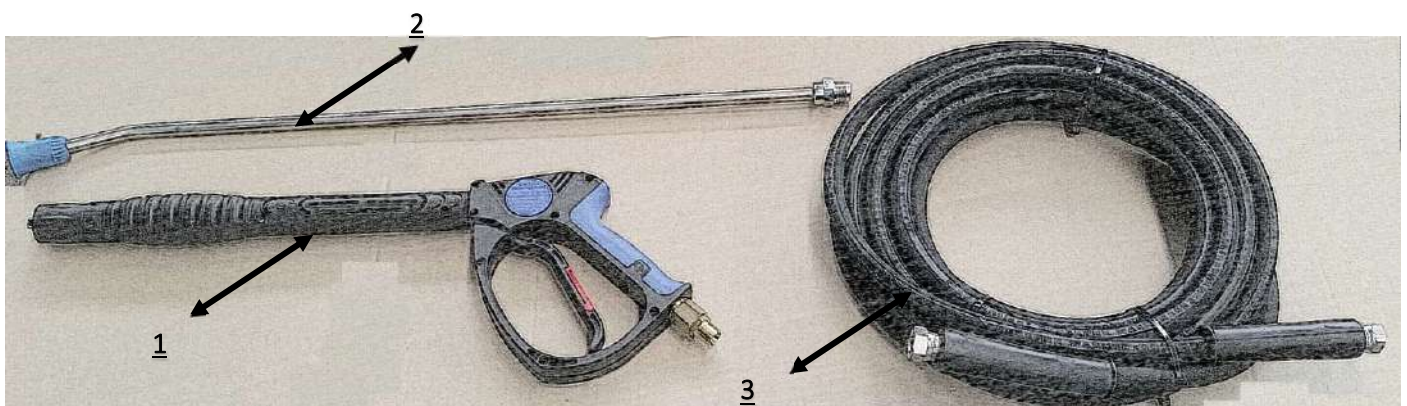


Pos.	Cod.	Denominazione	Description	Qt	Note
1	1383080	Flangia F30	Flange	1	B3/B14
2	620610	Vite TCEI M8x30	Screw	4	
3	390311	Rondella	Washer	4	
4	1380180	Vite M6x10	Screw	2	
5	1942890	Giunto	Coupling	1	
6	1942900	Anello	Ring	6	
7	1942910	Giunto	Coupling	1	

UGELLI / NOZZLE / BUSE

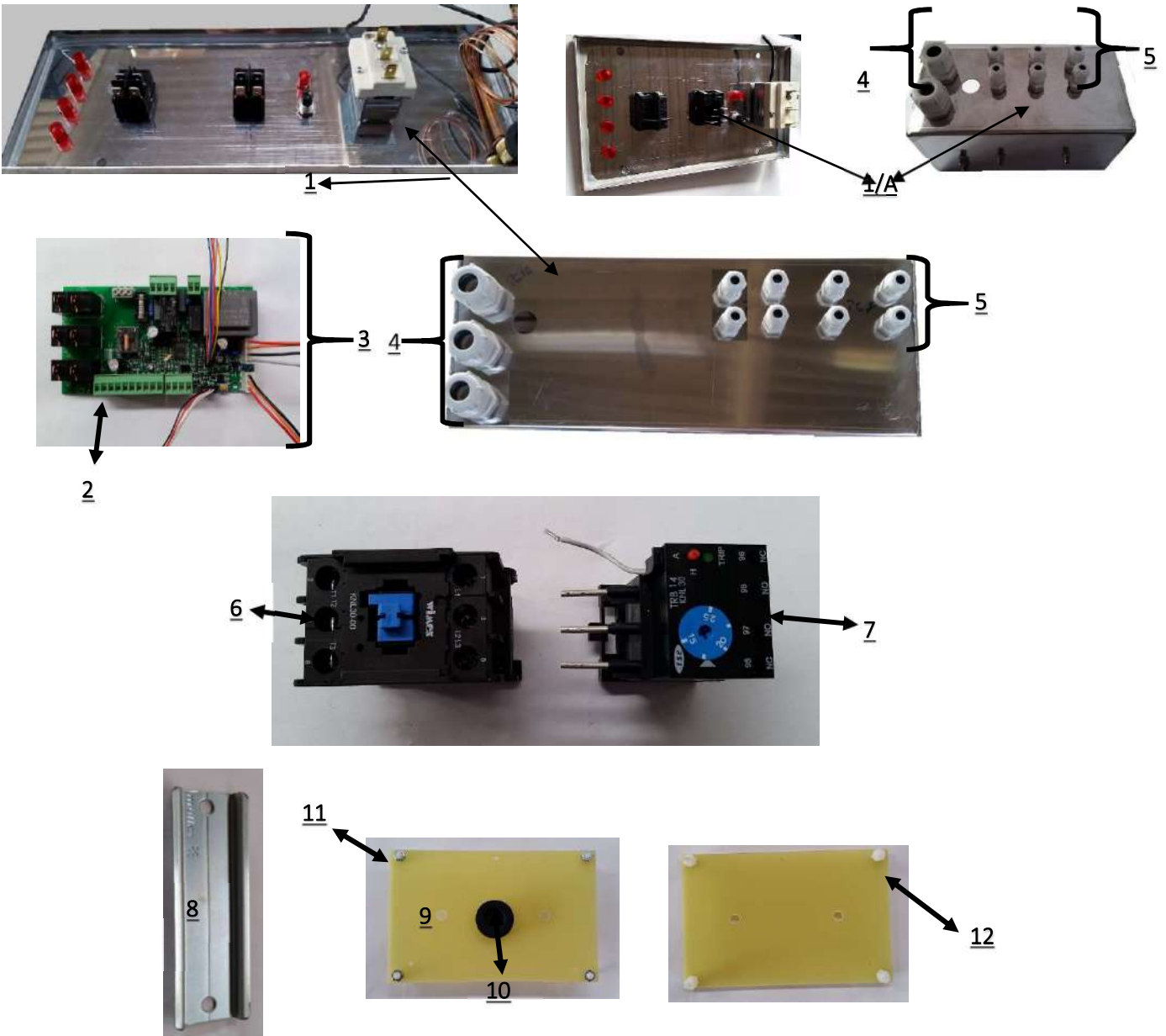
MODELLO IDROPULITRICE / H.P.MODEL /	MISURA/SICE/TAILLE
150.30	25.11
150.42	25.13
200.30	25.09
300.21	25.05

PLT 35



ITEM	Codice	Descrizione	Q.tà
1	6600610	Idropistola PLT35+ / water gun / le pistolet	1
2	6600610	Prolunga inox mm700 / lance / lance	1
3	6000145	Tube A.P. 10 mt / hose H.P. / tuyau H.P.	1

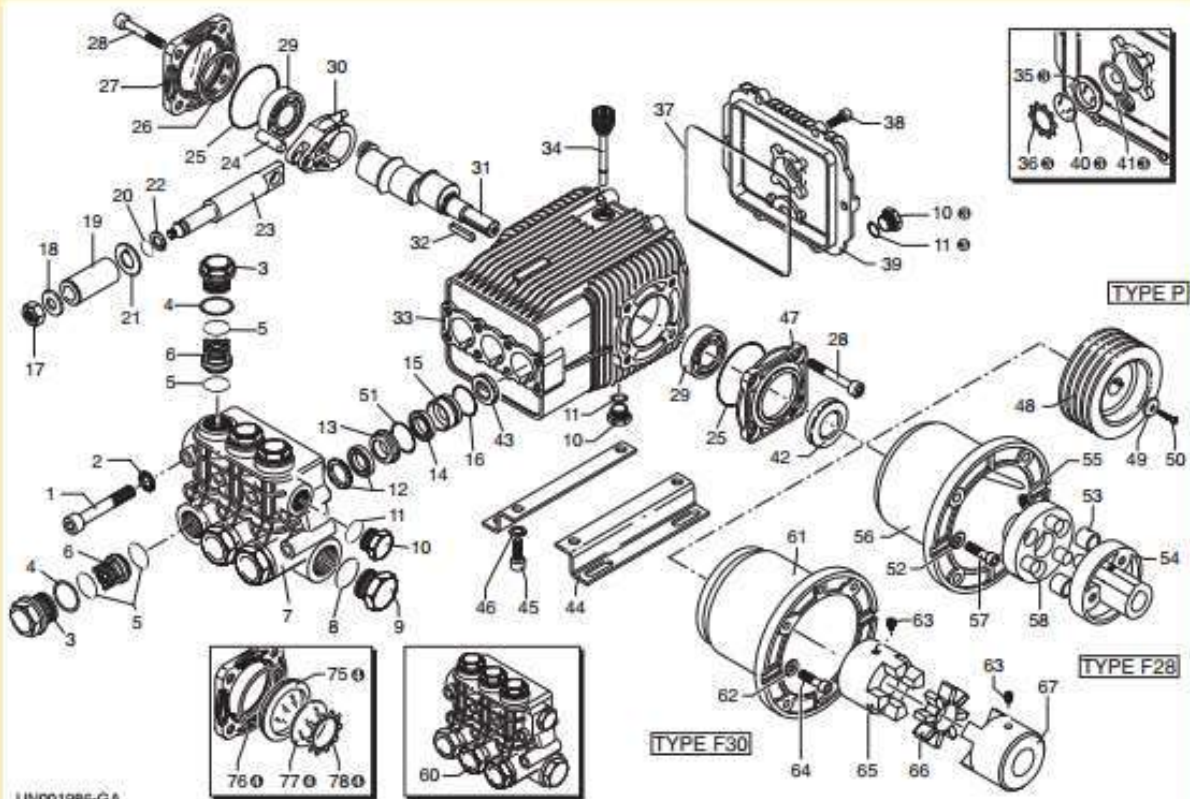
Quadri elettrici



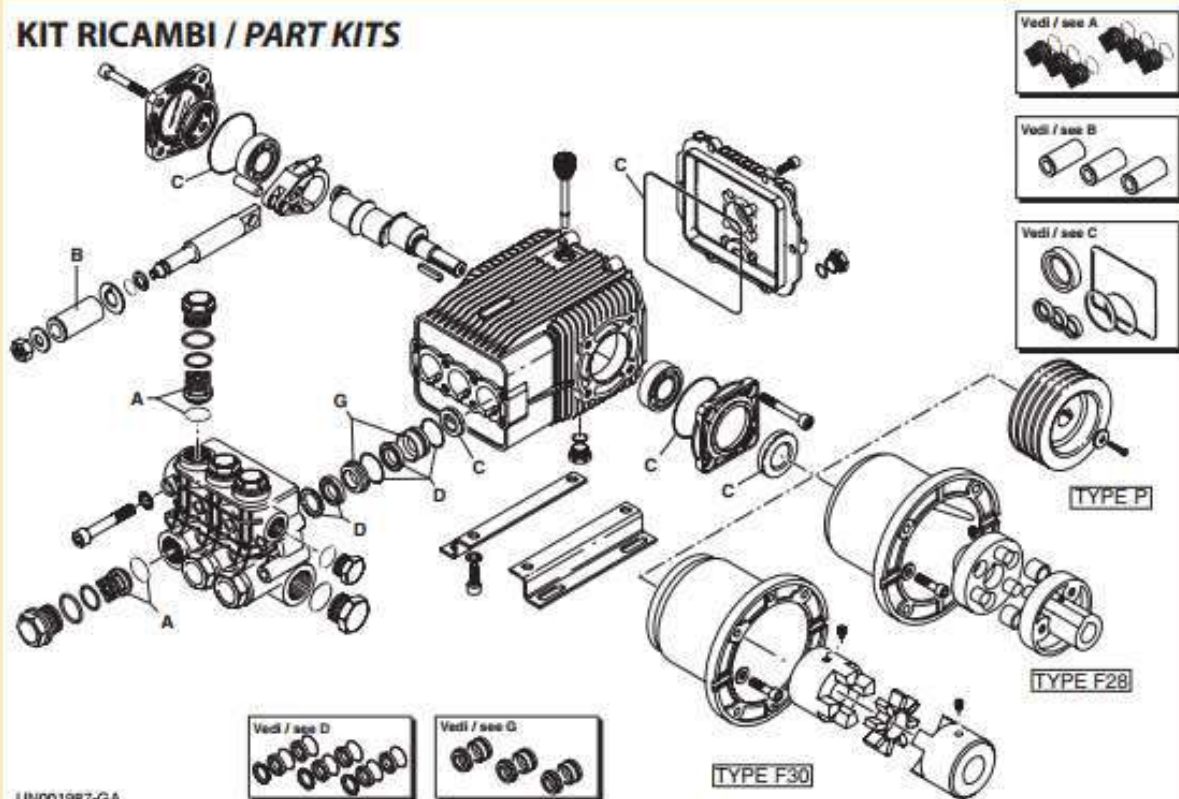
ITEM	Codice	Descrizione	DESCRIPTION	Description	Q.tà
1	5210009	Base + Coperchio inox scatola grande	Base+ SS cover x large box	Base + couvercle inoxydable pour grande boîte	1
1/A	5116010	Base + Coperchio inox scatola piccola	Base+ SS cover x small box	Base + couvercle inoxydable pour petite boîte	1
2	2000169	Scheda TSI con FOTOCELLULA 0932 R1	TSI PCB with photocell 0932 R1	Carte TSI avec photodiode 0932 R1	1
3	2000496/1	Kit fili+connettori x TSI hot c/fotocellula	Wiring +connectors kit x TSI PCB with photocell (hot water models)	Kit fils + connecteurs x carte TSI avec photodiode (eau chaude)	4
4	2000085	Pressacavo PG16 con dado	PG16 cable gland with nut	Glande PG16 avec écrou	3
5	2000073	Pressacavo PG07 con dado	PG 07 cable gland with nut	Glande PG07 avec écrou	8
6	2000050	Contattore KN 30 24V	KN30 24V contactor	Contacteur KN30 24V	1
7	2000063	Relè termico 15/25	15/25 thermal relay	Relais thermique 15/25	1
8	5400065	Guida omega	Omega rail	Rail oméga	1
9	4000084	Piastra supporto scheda	PCB plate support	Plaque support PCB	1
10	4100045	Passacavo a membrane DG 13,5	DG 13,5 membrane fairlead	Oeillet à membrane	1
11	1000706	Dado esag inox 4	4 SS exagonal nuts	4 écrou hexagonal en acier inoxydable	4
12	4000083	Distanziale per scheda elett.	Spacer for PCB	Entretoise pour carte électronique	4

150.30 MOTORE 10 HP B3B14 I3 COD. 6000385 / POMPA XW 30.20 COD. 6000842

XW NORRIA **N** 1450_{rpm}



KIT RICAMBI / PART KITS



XW

ROSETTA
N

MODELLO - MODEL:

15.15	15.20	15.30	21.20	21.25
21.28	26.12	26.15	26.20	26.23
30.10	30.15	30.20	30.25	

Pos.	Cod. Part n°	Denominazione	Description	Q.tà Q.ty	Note Vedi / See	Pos.	Cod. Part n°	Denominazione	Description	Q.tà Q.ty	Note Vedi / See
1	1940260	Vite TCEI M 10x80	Screw	8		32	650250	Linguetta	Key	1	
2	650530	Rosetta	Washer	8		33	1941330	Corpo pompa	Pump housing	1	
3	1940140	Tappo	Plug	6		34	1140370	Tappo olio	Oil cap	1	
4	1940150	Anello	Ring	6		35	1260250	Livello olio	Oil indicator	1	●
5	1140450	OR ø 20,24x2,62	O-Ring	12		36	1260430	Anello elastico	Snap ring	1	●
6	1949050	Valvola completa	Complete valve	6		37	1940410	OR ø 132x3	O-Ring	1	
7	1940021	Testa pompa	Pump head	1	● ● ○ ■	38	1200430	Vite TCEI M 6x16	Screw	6	
	1941210	Testa pompa	Pump head	1	▲	39	1949010	Cop. post. compl.	Complete cover	1	
8	550350	OR ø 23,81x2,62	O-Ring	1		40	1780690	Disco di contrasto	Disc	1	●
9	1140300	Tappo 3/4" G	Plug	1		41	1140450	OR ø 20,24x2,62	O-Ring	1	●
10	1980740	Tappo 3/8" G	Plug	3	●	42	820680	Anello tenuta	Seal	1	
11	740290	OR ø 14x1,78	O-Ring	3	●	43	1940560	Anello tenuta	Seal	3	
12	1940440	Guarn.+anello	Gasket w/ ring	3	● 20 ● ● ○ ■	44	1940370	Piede	Base	2	Optional
	1940270	Guarn.+anello	Gasket w/ ring	3	● 22 ▲	45	1940380	Vite TCEI M 10x18	Screw	4	Optional
13	1940430	Guida pist. ant.	Front piston guide	3	● 20 ● ● ○ ■	46	200231	Rosetta	Washer	4	Optional
	1940200	Guida pist. ant.	Front piston guide	3	● 22 ▲	47	1941240	Supporto aperto	Open bearing sup.	1	
14	1940470	Guarnizione	Gasket	3	● 20 ● ● ○ ■	48	1940290	Puleggia	Pulley	1	
	1940480	Guarnizione	Gasket	3	● 22 ▲	49	780230	Rondella	Washer	1	
15	1940450	Guida pist. post.	Rear piston guide	3	● 20 ● ● ○ ■	50	780060	Vite TCEI M 6x25	Screw	1	
	1940460	Guida pist. post.	Rear piston guide	3	● 22 ▲	51	1941220	OR ø 22x2	O-Ring	3	Tagliato/Cutted
16	820490	OR ø 34,65x1,78	O-Ring	3		52	390311	Rondella Ø 8,5	Washer	4	
17	1940570	Dado	Nut	3		53	1321670	Boccola	Bushing	6	
18	1940580	Rosetta	Washer	3		54	1380340	Semigiunto motore	Motor coupling	1	
19	1420430	Pistone	Piston	3	● 20 ● ● ○ ■	55	1380180	Grano M 6x10	Grub screw	2	
	1420120	Pistone	Piston	3	● 22 ▲	56	1940890	Flangia motori B3/B14	EL. motor flange	1	B3/B14
20	880840	OR ø 9,25x1,78	O-Ring	3		57	620610	Vite TCEI M 8x30	Screw	4	
21	960460	Disco separatore	Spacer	3		58	1940870	Semigiunto pompa	Pump coupling	1	
22	1940120	Anello	Ring	3		60	1949200	Prem.testa	Head pre-assembly	1	● 20 ● ● ○ ■
23	1940070	Pistone di guida	Guiding piston	3			1949203	Prem.testa	Head pre-assembly	1	● 22 ▲
24	1940060	Spinotto	Piston pin	3		61	1383080	Flangia motori B3/B14	EL. motor flange	1	B3/B14
25	1941380	OR ø 66,34x2,62	O-Ring	2		62	390311	Rondella Ø 8,5	Washer	4	
26	1941390	Spessore 0,05 mm	0,05 mm shim	1+3		63	1380180	Grano M 6x10	Grub screw	2	
	1941400	Spessore 0,10 mm	0,10 mm shim	1+3		64	620610	Vite TCEI M 8x30	Screw	4	
	1941410	Spessore 0,19 mm	0,19 mm shim	1+3		65	1383100	Semigiunto pompa	Pump coupling	1	
	1941420	Spessore 0,25 mm	0,25 mm shim	1+3		66	1940850	Anello elastico	Ring	1	
27	1949011	Coperchio lat. compl.	Comp. side cover	1		67	1383090	Semigiunto motore	Motor coupling	1	
28	850370	Vite TCEI M 8x16	Screw	8		75	1941270	Livello olio	Oil indicator	1	●
29	1941370	Cuscinetto	Bearing	2	●	76	100410	OR Ø 34,6x2,62	O-Ring	1	●
	1140410	Cuscinetto	Bearing	2	● ○ ■ ▲	77	1941260	Disco di contrasto	Disc	1	●
30	1940050	Biella	Con-rod	3		78	1941290	Anello elastico	Snap ring	1	●
31	1940520	Albero eccentrico	Crank shaft	1	● ●						
	1940180	Albero eccentrico	Crank shaft	1	○						
	1940160	Albero eccentrico	Crank shaft	1	■ ▲						

KIT RICAMBI - PART KITS

A=KIT 2780 valvole valves		B=KIT 2650 ø 20 pistoni pistons		B=KIT 1891 ø 22 pistoni pistons		C=KIT 2781 tenute olio oil seals	
Pos.	Q.ty	Pos.	Q.ty	Pos.	Q.ty	Pos.	Q.ty
5	6	19	3	19	3	25	2
6	6					37	1
						42	1
						43	3

D=KIT 2782 ø 20 tenute acqua water seals		D=KIT 2783 ø 22 tenute acqua water seals		G=KIT 2784 ø 20 guida pistoni pistons guide		G=KIT 2785 ø 22 guida pistoni pistons guide	
Pos.	Q.ty	Pos.	Q.ty	Pos.	Q.ty	Pos.	Q.ty
12	3	12	3	13	3	13	3
14	3	14	3	15	3	15	3
16	3	16	3				
51	3	51	3				

SIMBOLOGIA - SYMBOLS

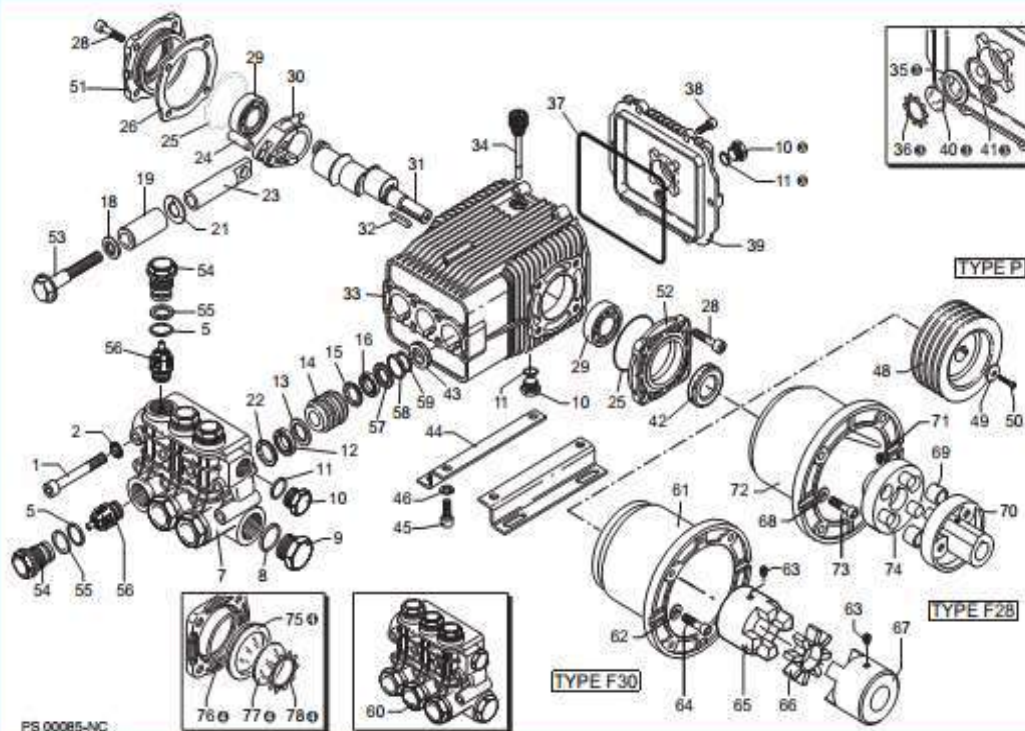
● Per / For XW 15.15 XW 15.20	○ Per / For XW 21.20 XW 21.25 XW 21.28	■ Per / For XW 26.12 XW 26.15 XW 26.20 XW 26.23	▲ Per / For XW 30.10 XW 30.15 XW 30.20 XW 30.25
* Per / For XW 15.30			
● Compresso nel cod. 1949010 / Part of part n° 1949010			
● Compresso nel cod. 1949011 / Part of part n° 1949011			

PARTI SPECIALI IN VITON SPECIAL PARTS

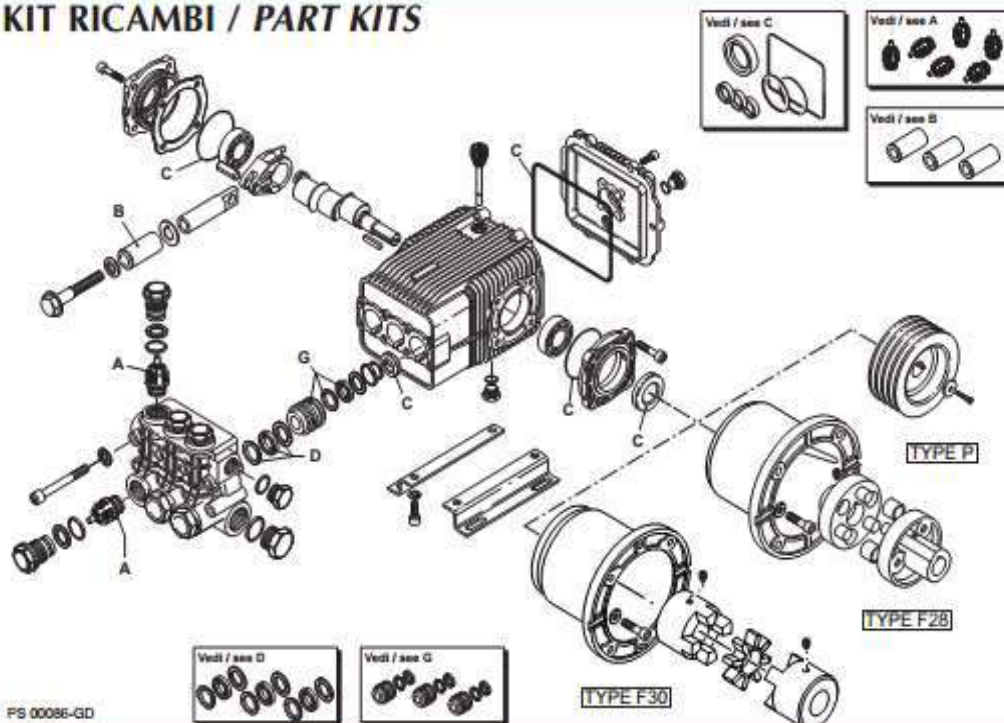
Cod. Part n°	Denominazione Description	Q.tà Q.ty
2778	Tenute acqua/Water seals ø 20	1
2779	Tenute acqua/Water seals ø 22	1

300.21 MOTORE 15 HP B3B14 I3 COD. 6002360 / POMPA SXW 21.35 COD. A20808

SXW N 1450 RPM



KIT RICAMBI / PART KITS



SXW N 1450 RPM

Pos.	Cod. Part n°	Denominazione	Description	Q.tà Q.ty	Note Vedi / See	Pos.	Cod. Part n°	Denominazione	Description	Q.tà Q.ty	Note Vedi / See
1	1940260	Vite TCEI M 10x80	Screw	8		45	1940380	Vite TCEI M 10x18	Screw	4	Optional
2	650530	Rosetta	Washer	8		46	200231	Rosetta	Washer	4	Optional
5	880830	OR ø 15,54x2,62	O-Ring	6		48	1940290	Puleggia	Pulley	1	4 B
7	1940930	Testa pompa	Pump head	1		49	780230	Rondella	Washer	1	
8	180101	OR ø 17,5x2	O-Ring	1		50	780060	Vite TCEI M 6x25	Screw	1	
9	820361	Tappo 1/2" G	Plug	1		51	1949011	Coperchio lat. compl.	Compl. side cover	1	
10	1980740	Tappo 3/8" G	Plug	3	①	52	1941240	Supporto aperto	Open bearing sup.	1	
11	740290	OR ø 14x1,78	O-Ring	3	②	53	1940920	Vite fiss. pistone	Piston-fixing screw	3	
12	1941200	Guarnizione	Plug	3		54	1940940	Tappo valvola	Plug	6	
13	1941050	Anello antiestr.	Ring	3		55	1941070	Anello antiestr.	Ring	6	
14	1940950	Guida pistone	Piston guide	3		56	1949051	Valvola completa	Complete valve	6	
15	1941350	Anello appoggio	Support ring	3		57	1941030	Distanziale	Spacer	3	
16	1941340	Guarnizione	Gasket	3		58	820490	OR ø 34,65x1,78	O-Ring	3	
18	1340600	Rondella	Washer	3		59	1941010	Anello elastico	Snap Ring	3	
19	1941020	Pistone	Piston	3		60	1949204	Prem.testa	Head pre-assembly	1	
21	1383190	Disco separatore	Spacer	3		61	1383080	Flangia motori B3/B14	El. motor flange	1	B3/B14
22	1941190	Anello appoggio	Support ring	3		62	390311	Rondella ØI 8,5	Washer	4	
23	1940960	Pistone di guida	Guiding piston	3		63	1380180	Grano M 6x10	Grub screw	2	
24	1940060	Spinotto	Con rod pin	3		64	620610	Vite TCEI M 8x30	Screw	4	
25	1941390	OR ø 66,34x2,62	O-Ring	2		65	1383100	Semigiunto pompa	Pump coupling	1	
26	1941390	Spessore 0,05 mm	0,05 mm shim	1		66	1940850	Anello elastico	Ring	1	
27	1941400	Spessore 0,10 mm	0,10 mm shim	1		67	1383090	Semigiunto motore	Motor coupling	1	
28	1941410	Spessore 0,19 mm	0,19 mm shim	1		68	390311	Rondella ØI 8,5	Washer	4	
29	1941420	Spessore 0,25 mm	0,25 mm shim	1		69	1321670	Boccola	Bushing	6	
30	850370	Vite TCEI M 8x16	Screw	8		70	1380340	Semigiunto motore	Motor coupling	1	
31	1140410	Cuscinetto	Bearing	2		71	1380180	Grano M 6x10	Grub screw	2	
32	1940050	Bielle	Conrod	3		72	1940890	Flangia motori B3/B14	El. motor flange	1	B3/B14
33	1940980	Albero eccentrico	Crank shaft	1	●	73	620610	Vite TCEI M 8x30	Screw	4	
34	1940970	Albero eccentrico	Crank shaft	1	○	74	1940870	Semigiunto pompa	Pump coupling	1	
35	650250	Linguetta 8x7x40	Key	1		75	1941270	Livello olio	Oil indicator	1	④
36	1941330	Corpo pompa	Pump housing	1		76	100410	OR Ø 34,6x2,62	O-Ring	1	⑤
37	1140370	Tappo olio	Plug	1		77	1941260	Disco di contrasto	Disc	1	⑥
38	1260250	Livello olio	Oil indicator	1	③	78	1941290	Anello elastico	Snap ring	1	⑦
39	1260430	Anello elastico	Snap ring	1	②						
40	1940410	OR ø 132x3	O-Ring	1							
41	1200430	Vite TCEI M 6x16	Screw	6							
42	1949010	Coperchio post. compl.	Complete cover	1							
43	1780690	Disco di contrasto	Disc	1	③						
44	1140450	OR Ø 20,24x2,62	O-Ring	1	②						
	820680	Anello tenuta	Seal	1							
	1940560	Anello tenuta	Seal	3							
	1940370	Piede pompa	Base	2	Optional						

① Compreso nel cod. 1949010 / Part of part n° 1949010

② Compreso nel cod. 1949011 / Part of part n° 1949011

KIT RICAMBI PART KITS

LEGENDA :

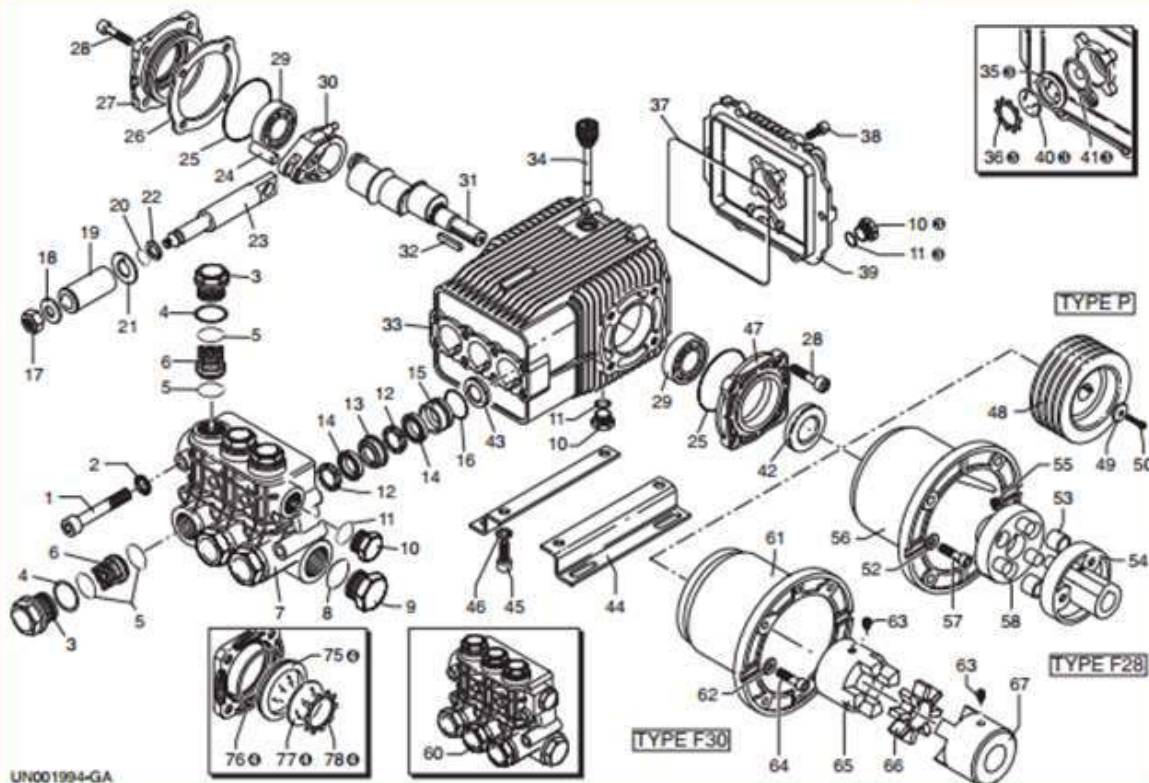
A=KIT 2871 valvole valves		B=KIT 2872 pistoni pistons		C=KIT 2873 tenute olio oil seals		D=KIT 2874 tenute acqua water seals	
pos.	Q.ty	pos.	Q.ty	pos.	Q.ty	pos.	Q.ty
56	6	19	3	25	2	12	3
				37	1	13	3
				42	1	22	3
				43	3		

Ø 18 ● Per / For SXW 15.35

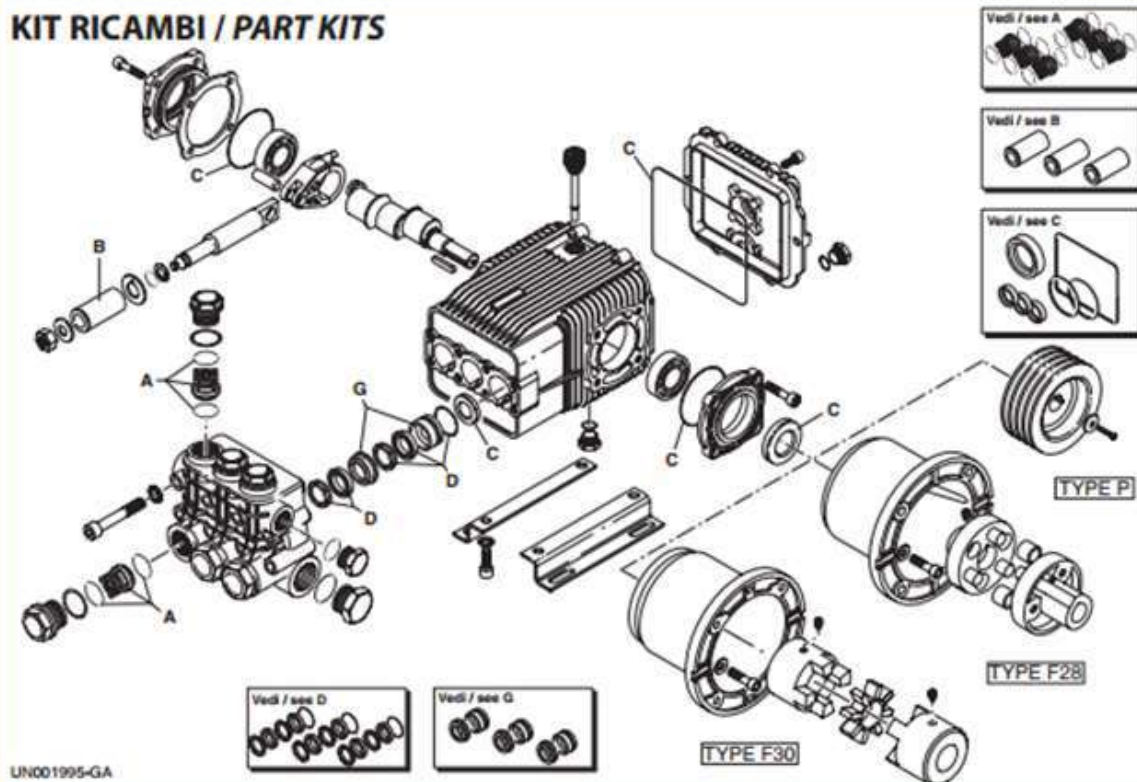
Ø 18 ○ Per / For SXW 21.35

G=KIT 2875 guida pistoni pistons guide							
pos.	Q.ty	pos.	Q.ty	pos.	Q.ty	pos.	Q.ty
14	3						
15	3						
16	3						

XWL N 1450_{rpm}



KIT RICAMBI / PART KITS



XWL

VITON

MODELLO - MODEL:

36.15 42.05 42.07 42.10 42.15

Pos.	Cod. Part n°	Denominazione	Description	Q.tà Q.ty	Note Vedi / See	Pos.	Cod. Part n°	Denominazione	Description	Q.tà Q.ty	Note Vedi / See
1	1940260	Vite TCEI M 10x80	Screw	8		39	1949010	Cop. post. compl.	Complete cover	1	
2	650530	Rosetta	Washer	8		40	1780690	Disco di contrasto	Disc	1	●
3	1940140	Tappo	Plug	6		41	1140450	OR Ø 20,24x2,62	O-Ring	1	●
4	1940150	Anello	Ring	6		42	820680	Anello tenuta	Seal	1	
5	1140450	OR Ø 20,24x2,62	O-Ring	12		43	1940560	Anello tenuta	Seal	3	
6	1949050	Valvola completa	Complete valve	6		44	1940370	Piede	Base	2	Optional
7	1941550	Testa pompa	Pump head	1		45	1940380	Vite TCEI M 10x18	Screw	4	Optional
8	550350	OR Ø 23,81x2,62	O-Ring	1		46	200231	Rosetta	Washer	4	Optional
9	1140300	Tappo 3/4" G	Plug	1		47	1941240	Supporto aperto	Open bearing sup.	1	
10	1980740	Tappo 3/8" G	Plug	3	●	48	1940290	Puleggia	Pulley	1	
11	740290	OR Ø 14x1,78	O-Ring	3	●	49	780230	Rondella	Washer	1	
12	1941570	Anello appoggio	Support ring	6		50	780060	Vite TCEI M 6x25	Screw	1	
13	1140280	Guida pist. ant.	Front piston guide	3		52	390311	Rondella Ø 8,5	Washer	4	
14	820630	Guarnizione	Gasket	6		53	1321670	Boccola	Bushing	6	
15	1941560	Guida pist. post.	Rear piston guide	3		54	1380340	Semigiunto motore	Motor coupling	1	
16	1140490	OR Ø 37,82x1,78	O-Ring	3		55	1380180	Grano M 6x10	Grub screw	2	
17	1940570	Dado	Nut	3		56	1940890	Flangia motori B3/B14	EL motor flange	1	B3/B14
18	1940580	Rosetta	Washer	3		57	620610	Vite TCEI M 8x30	Screw	4	
19	1140190	Pistone	Piston	3		58	1940870	Semigiunto pompa	Pump coupling	1	
20	880840	OR Ø 9,25x1,78	O-Ring	3		60	1949205	Prem. testa	Head pre-assembly	1	
21	1140160	Disco separatore	Spacer	3		61	1383080	Flangia motori B3/B14	EL motor flange	1	B3/B14
22	1940120	Anello	Ring	3		62	390311	Rondella Ø 8,5	Washer	4	
23	1940070	Pistone di guida	Guiding piston	3		63	1380180	Grano M 6x10	Grub screw	2	
24	1940060	Spinotto	Piston pin	3		64	620610	Vite TCEI M 8x30	Screw	4	
25	1941380	OR Ø 66,34x2,62	O-Ring	2		65	1383100	Semigiunto pompa	Pump coupling	1	
26	1941390	Spessore 0,05 mm	0,05 mm shim	1-3		66	1940850	Anello elastico	Ring	1	
27	1941400	Spessore 0,10 mm	0,10 mm shim	1-3		67	1383090	Semigiunto motore	Motor coupling	1	
28	1941410	Spessore 0,19 mm	0,19 mm shim	1-3		75	1941270	Livello olio	Oil indicator	1	●
29	1941420	Spessore 0,25 mm	0,25 mm shim	1-3		76	100410	OR Ø 34,6x2,62	O-Ring	1	●
30	1949011	Coperchio lat. compl.	Comp. side cover	1		77	1941260	Disco di contrasto	Disc	1	●
31	850370	Vite TCEI M 8x16	Screw	8		78	1941290	Anello elastico	Snap ring	1	●
32	1140410	Cuscinetto	Bearing	2							
33	1940050	Biella	Con-rod	3							
34	1940980	Albero eccentrico	Crank shaft	1	●						
35	1940170	Albero eccentrico	Crank shaft	1	▲						
36	650250	Linguetta	Key	1							
37	1941330	Corpo pompa	Pump housing	1							
38	1140370	Tappo olio	Oil cap	1							
	1260250	Livello olio	Oil indicator	1	●						
	1260430	Anello elastico	Snap ring	1	●						
	1940410	OR Ø 132x3	O-Ring	1							
	1200430	Vite TCEI M 6x16	Screw	6							

KIT RICAMBI - PART KITS

SIMBOLOGIA - SYMBOLS

A=KIT 2780 valvole valves		B=KIT 1849 pistoni pistons		C=KIT 2781 tenute olio oil seals		D=KIT 1853 tenute acqua water seals	
Pos.	Q.ty	Pos.	Q.ty	Pos.	Q.ty	Pos.	Q.ty
5	6	19	3	25	2	12	6
6	6			37	1	14	6
				42	1	16	3
				43	3		

● Per / For XWL 36.15

▲ Per / For XWL 42.05 XWL 42.07 XWL 42.10 XWL 42.15

● Compreso nel cod. 1949010 / Part of part n° 1949010

● Compreso nel cod. 1949011 / Part of part n° 1949011

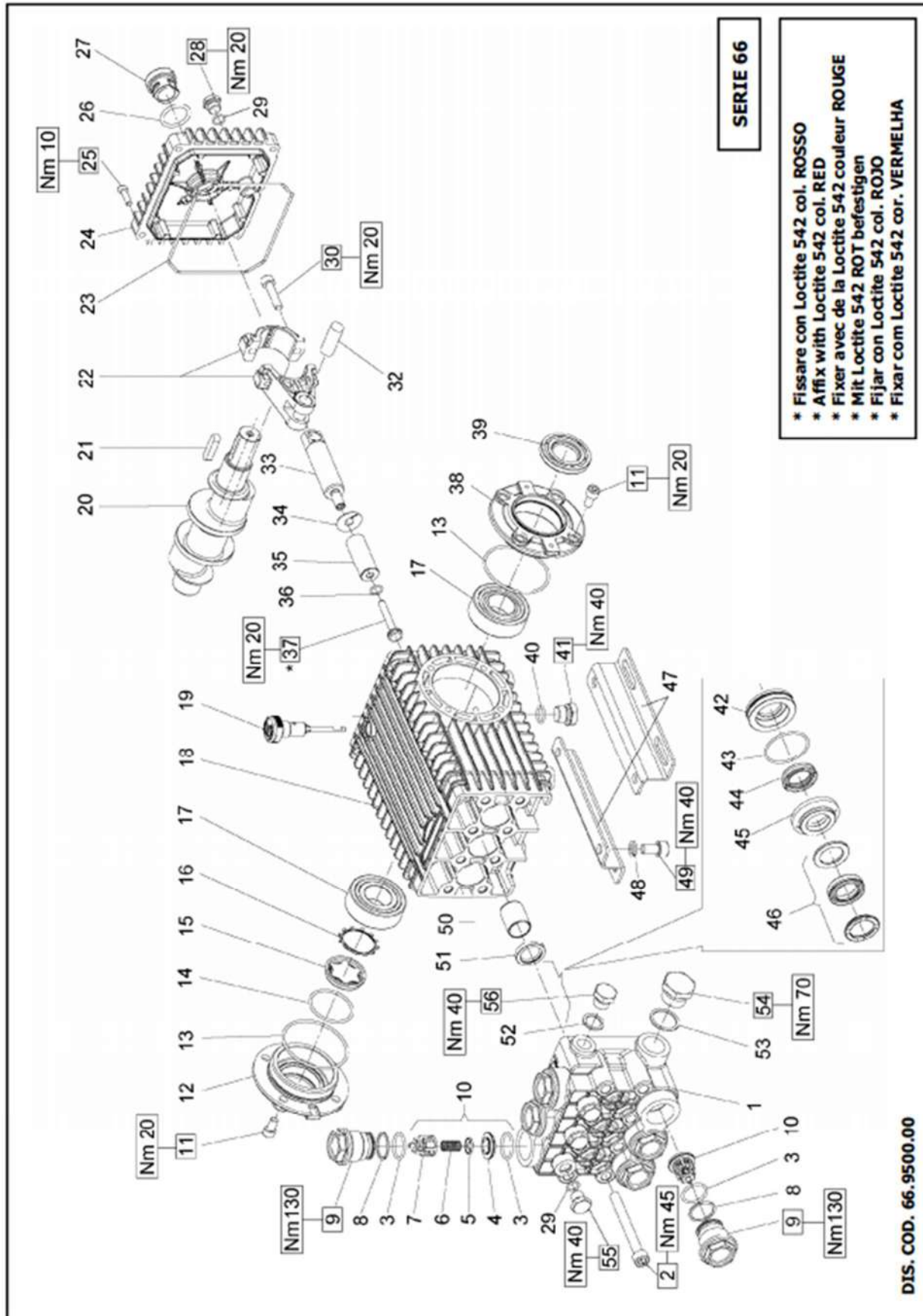
G=KIT 2507 guida pistoni pistons guide							
Pos.	Q.ty	Pos.	Q.ty	Pos.	Q.ty	Pos.	Q.ty
13	3						
15	3						

PARTI SPECIALI IN **VITON** SPECIAL PARTS

Cod. Part n°	Denominazione Description	Q.tà Q.ty
2036	Tenute acqua/Water seals a 28	1



200.30 MOTORE 15 HP B3B14 I3 COD. 6002360
POMPA W 20.30 COD. 60002030



SERIE 66

- * Fissare con Loctite 542 col. ROSSO
- * Affix with Loctite 542 col. RED
- * Fixer avec de la Loctite 542 couleur ROUGE
- * Mit Loctite 542 ROT befestigen
- * Fijar con Loctite 542 col. ROJO
- * Fixar com Loctite 542 cor. VERMELHA

DIS. COD. 66.95000.00

KIT RICAMBI – SPARE KITS

KIT Nr.	KIT 2	KIT 3	KIT 169	PISTONE - PISTON Ø18		PISTONE - PISTON Ø20		PISTONE - PISTON Ø22		PISTONE - PISTON Ø24	
				KIT 180	KIT 176	KIT 170	KIT 171	KIT 172	KIT 173	KIT 181	KIT 182
Posizioni Include Positions Included	51	39	3-4 4-5 6 (10)	44-46	42-43 44-45 46	44-46	42-43 44-45 46	44-46	42-43 44-45 46	44-46	42-43 44-45 46
Nr. Pcs.	3	2	6	3	1	3	1	3	1	3	1

**W3021 – W2525 – W3025 – W2030
W2035 – W2141 – T3025 – T2530 – T2830
T2535 – T2040 – T1750**

PISTONE - PISTON Ø 18	PISTONE - PISTON Ø 20
W3021 - T3025 W2525 – W3025 T2530 – T2535 – T2830	
PISTONE - PISTON Ø 22	PISTONE - PISTON Ø 24
W2030 – W2035 – T2040	W2141 - T1750

POS	COD.	DESCRIZIONE – DESCRIPTION - KIT	NR
1	66.1245.41	Testata Ø 18	1
1	66.1200.41	Testata Ø 20	1
1	66.1201.41	Testata Ø 22	1
1	66.1202.41	Testata Ø 24	1
2	99.3901.00	Vite M10x90 UNI 5931	8
3	90.3857.00	OR Ø 23.81x2.62 (132)	169
4	36.2033.66	Sede valvola sferica	169
5	36.2034.76	Valvola	169
6	94.7388.00	Molla Ø 10x18.5	169
7	36.2035.51	Guida valvola	169
8	90.5165.00	Anello antist. Ø 24.7x29x1.5	6
9	66.1300.41	Tappo M32x1.5x29.5	6
10	36.7127.01	Gruppo valvola aspiraz. / mand.	169
11	99.3039.00	Vite M8x16 UNI 5931	8
12	47.1512.22	Coperchio cuscinetto lato spila	1
13	90.3913.00	OR Ø 67.95x2.62 (3268)	2
14	90.3877.00	OR Ø 39.34x2.62 (3156)	1
15	70.2118.01	Spila livello olio	1
16	90.0756.00	Anello seeger Ø 45	1
17	91.8380.00	Cuscinetto a rulli NJ 2206 EC	2

POS	COD.	DESCRIZIONE – DESCRIPTION - KIT	NR
18	66.0100.22	Carter pompa	1
19	98.2106.00	Tappo carico olio G 3/8"	1
20	66.0200.35	Albero – W2535-W2030-W3021-W3025 T2530-T3025-T2830	1
21	66.0204.35	Albero – W2035-W2141-T2535-T2040-T1750	1
21	91.4892.00	Linguetta 9x7x35 UNI 6604	1
22	66.0300.01	Bielle completa	3
23	90.3922.00	OR Ø 133.02x2.62 (3525)	1
24	66.1600.22	Coperchio posteriore	1
25	99.1884.00	Vite M6x20 UNI 5931	4
26	90.4051.00	OR Ø 26.58x3.53 (4106)	1
27	63.2100.51	Spila livello olio	1
28	98.2042.50	Tappo G 1/4"x9 TE17 – Zinc.	1
29	90.3585.00	OR Ø 10.82x1.78 (2043)	4
30	99.3099.00	Vite M8x35 UNI 5931	6
32	97.7405.00	Spinotto Ø 14x39	3
33	66.0500.66	Guida pistone	3
34	96.7101.00	Rosetta Ø 10x28x0.5	3
35	66.0403.09	Pistone Ø 18x54	3
35	66.0400.09	Pistone Ø 20x54	3
35	66.0401.09	Pistone Ø 22x54	3
35	66.0404.09	Pistone Ø 24x54	3
36	90.3584.00	OR Ø 10.82x1.78 (2043) - 90 Sn.	3
37	66.2195.66	Vite fissaggio pistone	3
38	47.1510.22	Coperchio cuscinetto aperto	1
39	90.1648.00	Anello rad. Ø 30x55x7	3
40	90.3833.00	OR Ø 13.95x2.62 (3056)	1
41	98.2100.50	Tappo G 3/8"x13 TE22 – Zinc.	1
42	66.0803.70	Anello di fondo Ø 18	176
42	66.0800.70	Anello di fondo Ø 20	171
42	66.0801.70	Anello di fondo Ø 22	173
42	66.0804.70	Anello di fondo Ø 24	182
43	90.3616.00	OR Ø34.65x1.78 (2137)171-173-176-182	3
44	90.2652.00	Anello tenuta Ø18x26x6.5 LP 180-176	3
44	90.2690.00	Anello tenuta Ø20x28x6.5 LP 170-171	3
44	90.2715.00	Anello tenuta Ø22x30x6.5 LP 172-173	3
44	90.2738.00	Anello tenuta Ø24x32x6.5 LP 181-182	3
45	66.2163.70	Anello intermedio Ø 18	176
45	66.2160.70	Anello intermedio Ø 20	171
45	66.2161.70	Anello intermedio Ø 22	173
45	66.2164.70	Anello intermedio Ø 24	182
46	90.2655.00	Anello tenuta Ø18x28x10 HP 180-176	3
46	90.2692.00	Anello tenuta Ø20x30x10 HP 170-171	3
46	90.2717.00	Anello tenuta Ø22x32x10 HP 172-173	3
46	90.2741.00	Anello tenuta Ø24x34x10 HP 181-182	3
47	47.2000.74	Piedino fissaggio pompa	2
48	96.7106.00	Rosetta Ø 10.2 DIN 7980	4
49	99.3644.00	Vite M10x18 UNI 5931	4
50	90.9126.00	Boccola Ø 22x25x30	3
51	90.1625.00	Anello rad. Ø 22x32x5.5	2
52	96.7380.00	Rosetta Ø 17.5x23x1.5	1
53	96.7700.00	Rosetta Ø 26.5x32x1.5	1
54	98.2268.00	Tappo G 3/4"x16	1
55	98.2043.00	Tappo G 1/4"x13	3
56	98.2100.00	Tappo G 3/8"x13	1